

# w r a p p e d

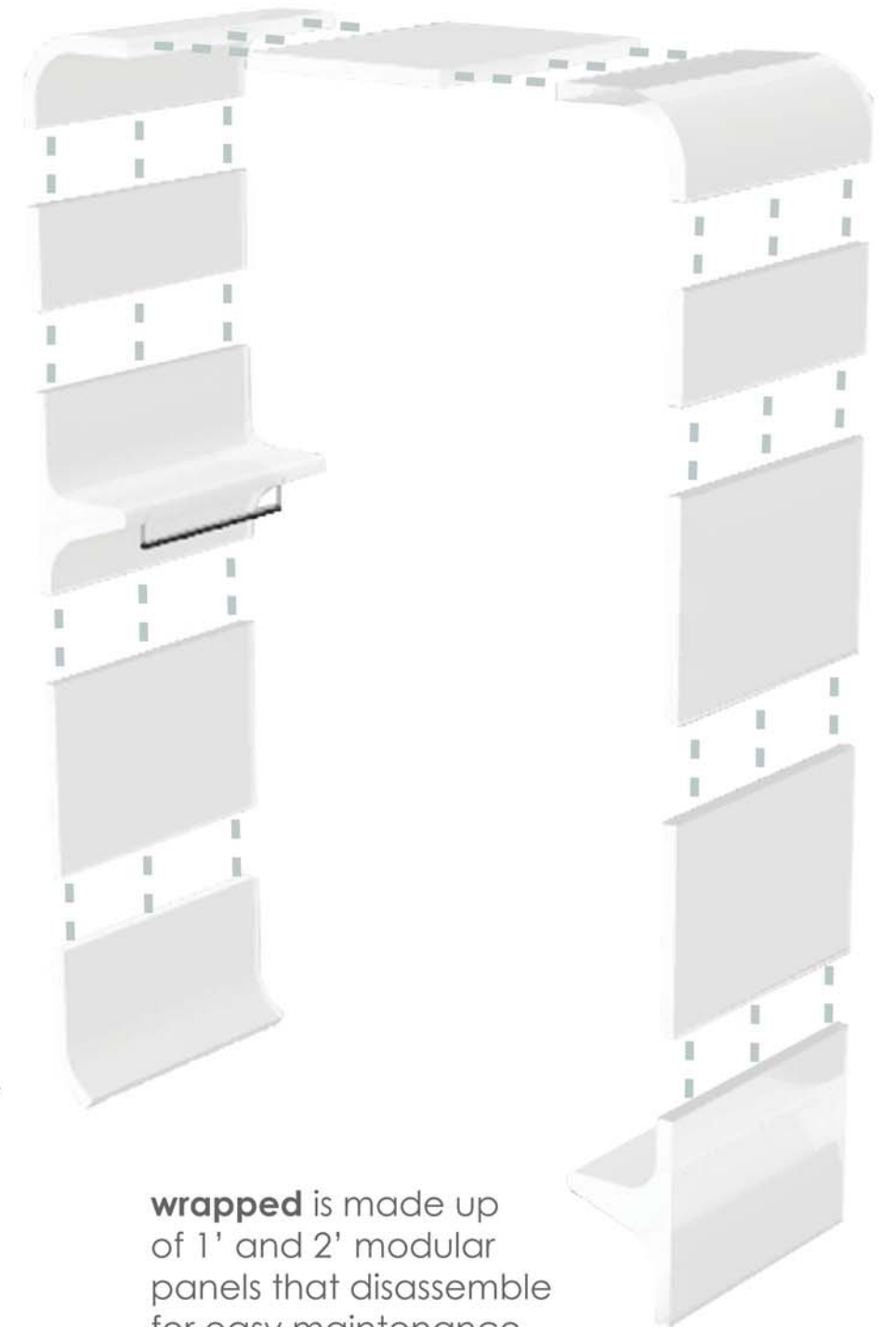


**wrapped** is a modular fitting room light fixture composed of LED panels. able to fit into any space, **wrapped** will fully and evenly envelop the user in light. gone are the garish shadows typically associated with fitting rooms. **wrapped** will display both clothes and the customer at their very best. for optimal light representation, **wrapped** offers three light settings: day, office and evening.

let the customer unwrap and rewrap themselves all while being **wrapped** in light.  
last step: cashwrap.

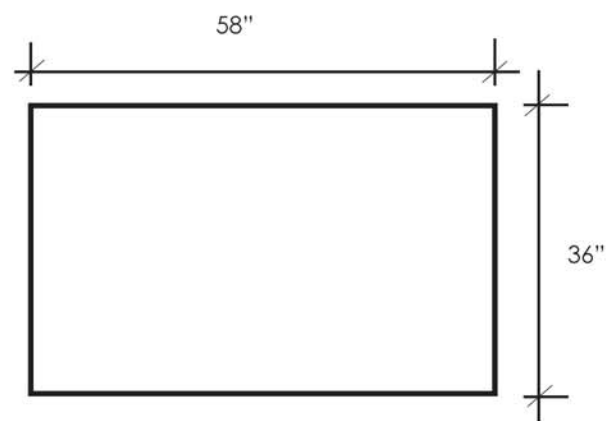
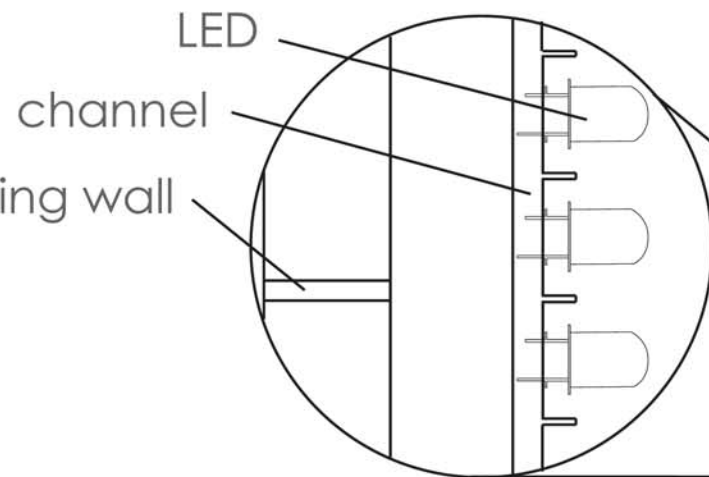


when using **wrapped**, the customer can manipulate the lighting in their own fitting room. given the choice of three light settings, day, office and evening, the customer will be able to see just how they will look at an afternoon picnic, an important job interview, or an evening out. it's as effortless as pressing a button. each button is in the shape of a simple graphic representing the type of light **wrapped** will imitate: a sun for the day setting, a fluorescent bulb for the office setting, and a candle for the evening setting. once selected the button will glow, reminding the customer of the current light setting.



**wrapped** is made up of 1' and 2' modular panels that disassemble for easy maintenance. simply switch out any of the 2' panels for 1' panels, or vice versa, for size adjustment and reconfiguration. panels are made of recycled high density polyethylene and include a built-in bar hang, shelf, and bench.

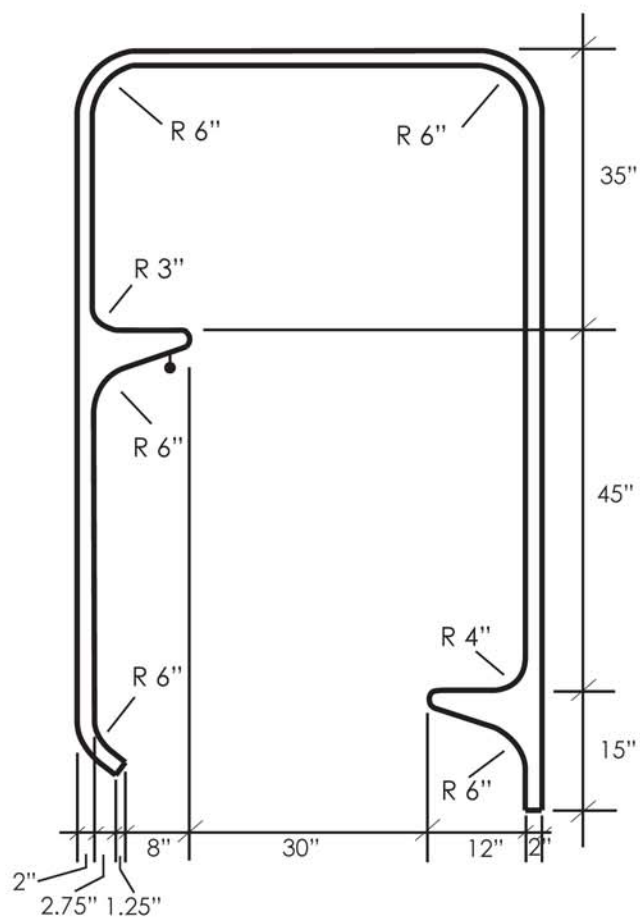
panels mounted to existing wall



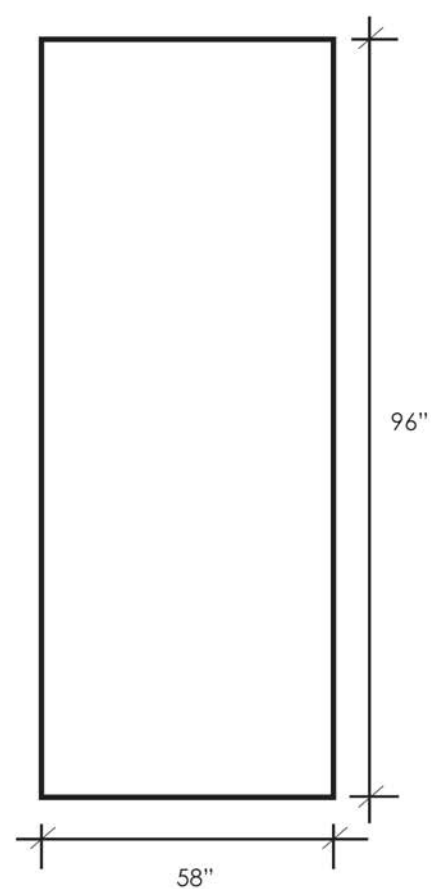
top view

### Channel LED

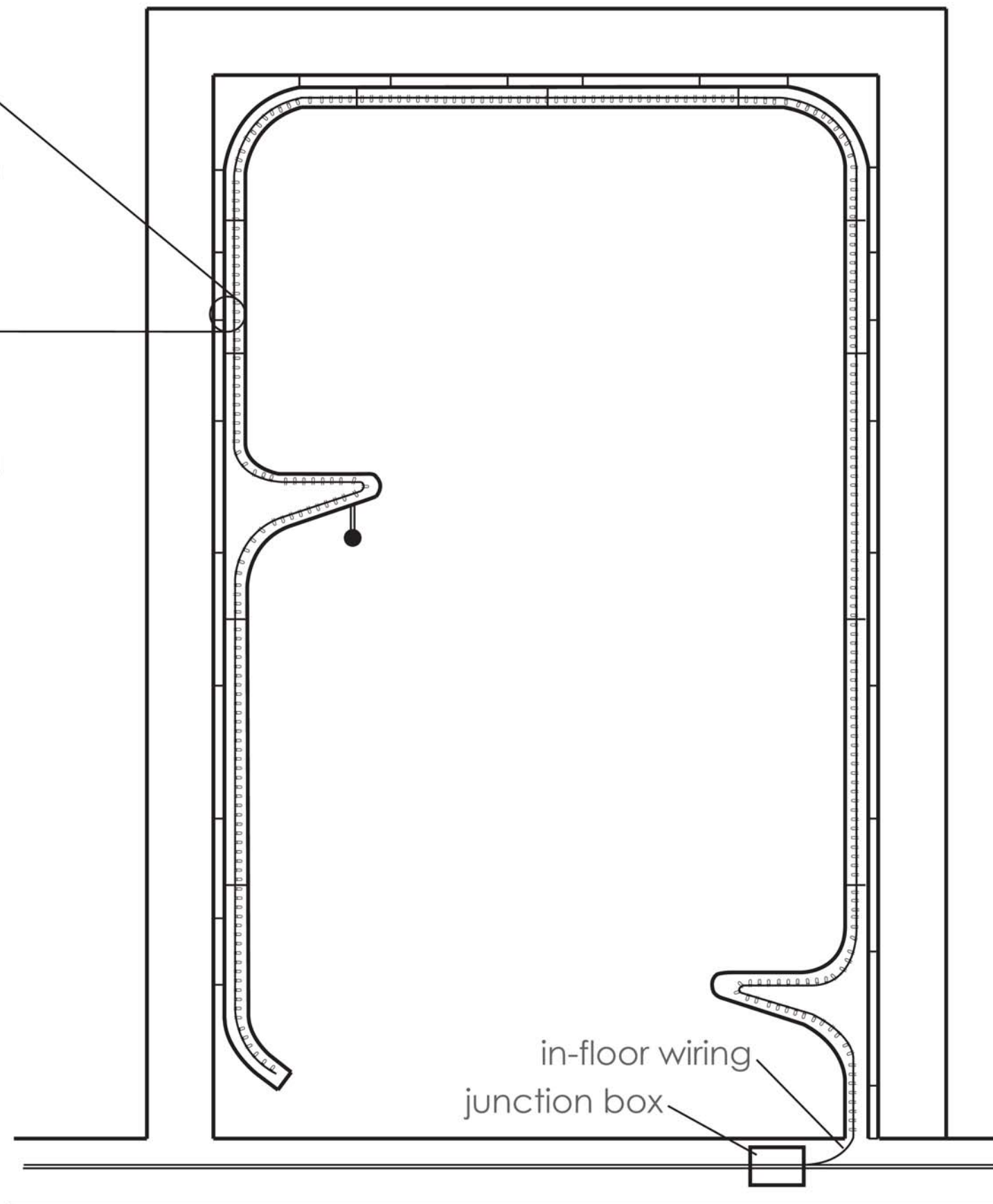
LED 40-620: linear 24 volt DC LED system. printed circuit board has three circuits that may be controlled independently.



front view



right view



section view