

KERROS By TKC

TREVOR KEITH CALL

UTAH STATE UNIVERSITY



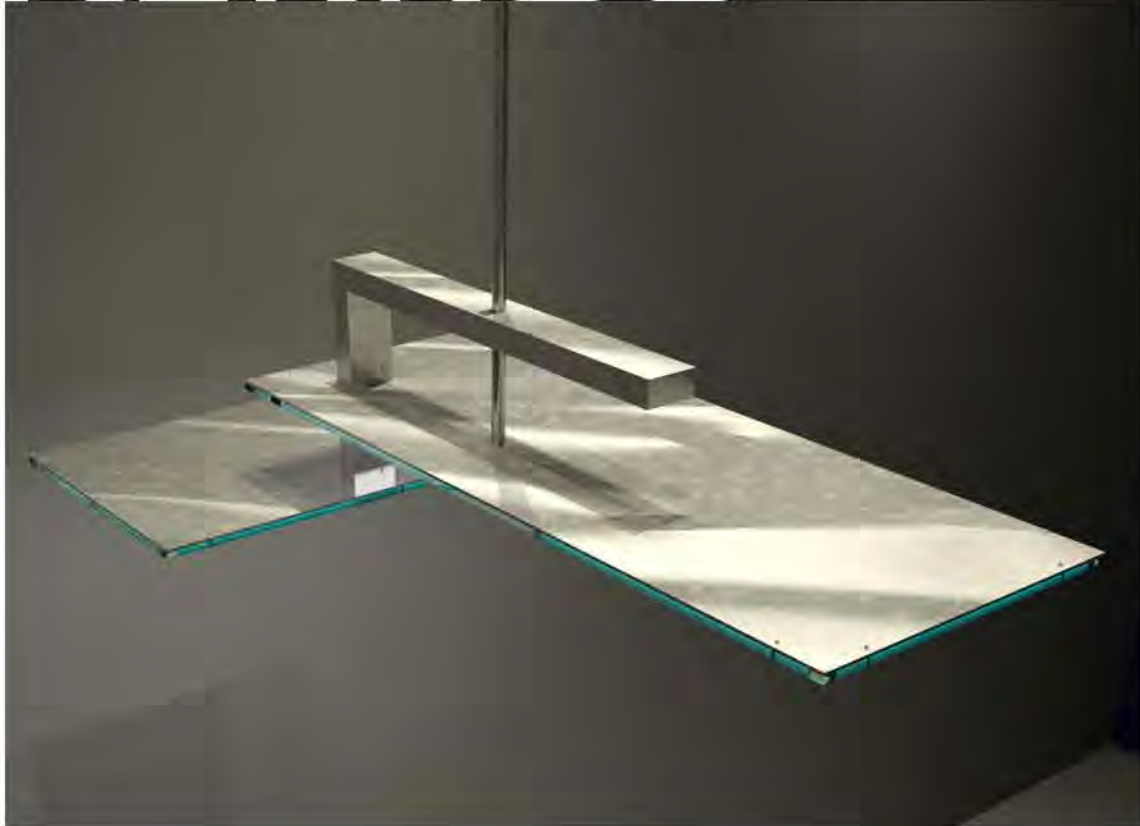
ROBERT
BRUCE
THOMPSON
LIGHTING
COMPETITION
2011



BULLET CONFERENCE ROOM LIGHTING



ROBERT
BRUCE
THOMPSON
LIGHTING
COMPETITION
2011



CONCEPT

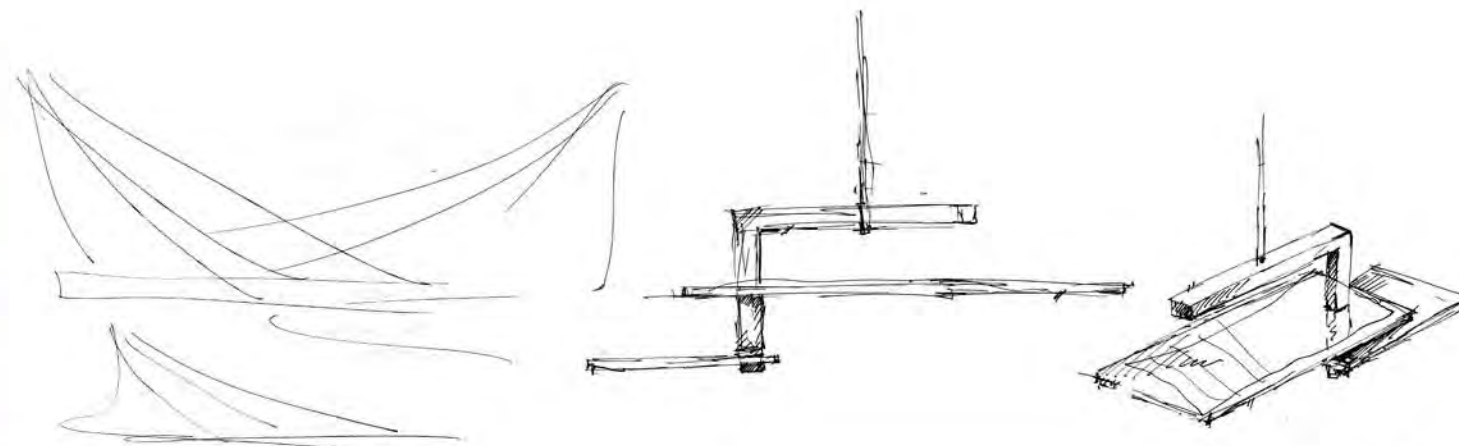
THE "KERROS" LIGHT FIXTURE IS BASED ON LAYERS; THE INSPIRATION COMING FROM THE REIMAN BRIDGE DESIGNED BY FAMED ARCHITECT SANTIAGO CALATRAVA. THE NAME COMES FROM A FINNISH WORD MEANING LAYERED OR STACKED.

MATERIALS

ALUMINUM IS THE MAIN MATERIAL USED IN THE KERROS FIXTURE. KERROS IS AVAILABLE IN VARIOUS FINISHES INCLUDING ANODIZED, SATIN, BRUSHED, AND POLISHED. IT IS LIGHTWEIGHT, AND RECYCLABLE. RIGID LED PANELS WERE USED ALSO LESSENING THE IMPACT OF KERROS ON THE ENVIRONMENT.

FUNCTION

KERROS IS DESIGNED TO BE USED IN A TECHNOLOGY ORIENTED CONFERENCE ROOM. THE LED PANEL CASTS A SOFT UNIFORM GLOW WITH MINIMAL SHADOWS. IT ALSO HAS THE ABILITY TO FADE TO A DEEP ORANGE, OR OTHER COLORS, TO ALLOW THE OCCUPANTS TO SEE NOTES AND BE PRODUCTIVE EVEN WHEN A PROJECTOR OR OTHER DEVICE IS BEING USED IN DIM LIGHT.

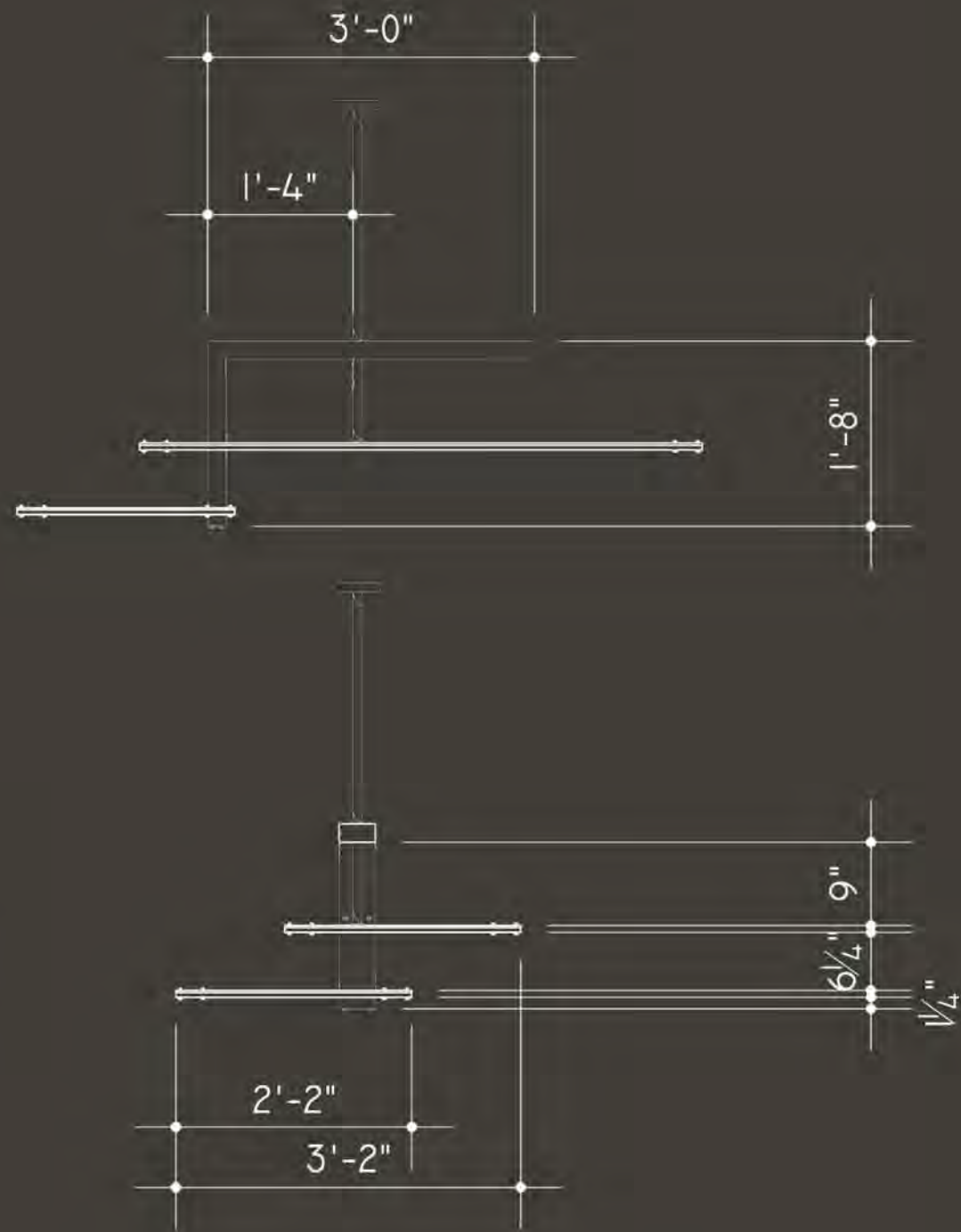
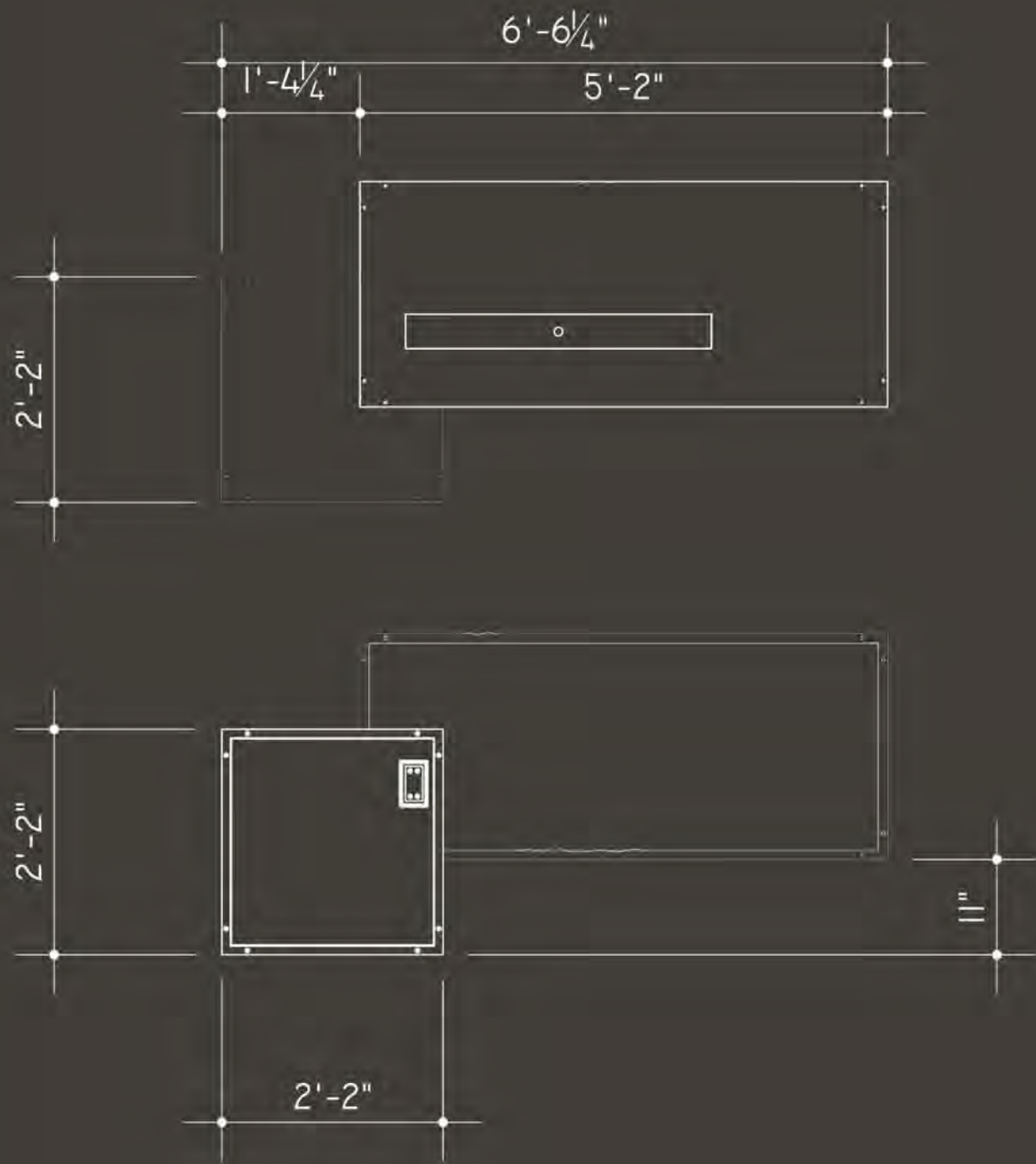


KERROS CONCEPT SKETCHES





ROBERT
BRUCE
THOMPSON
LIGHTING
COMPETITION
2011





ROBERT
BRUCE
THOMPSON
LIGHTING
COMPETITION
2011

1" DIAMETER RIGID SUPPORT
POLE- POLISHED
(ELECTRICAL CONDUIT)

LED CONTROL BOX

CAST ALUMINUM- POLISHED

ALUMINUM PLATE- POLISHED

LED RIGID PANEL W/ DIFFUSER

STRUCTURAL GLASS

CAST ALUMINUM- POLISHED

ALUMINUM PLATE- POLISHED

LED RIGID PANEL W/ DIFFUSER

STRUCTURAL GLASS